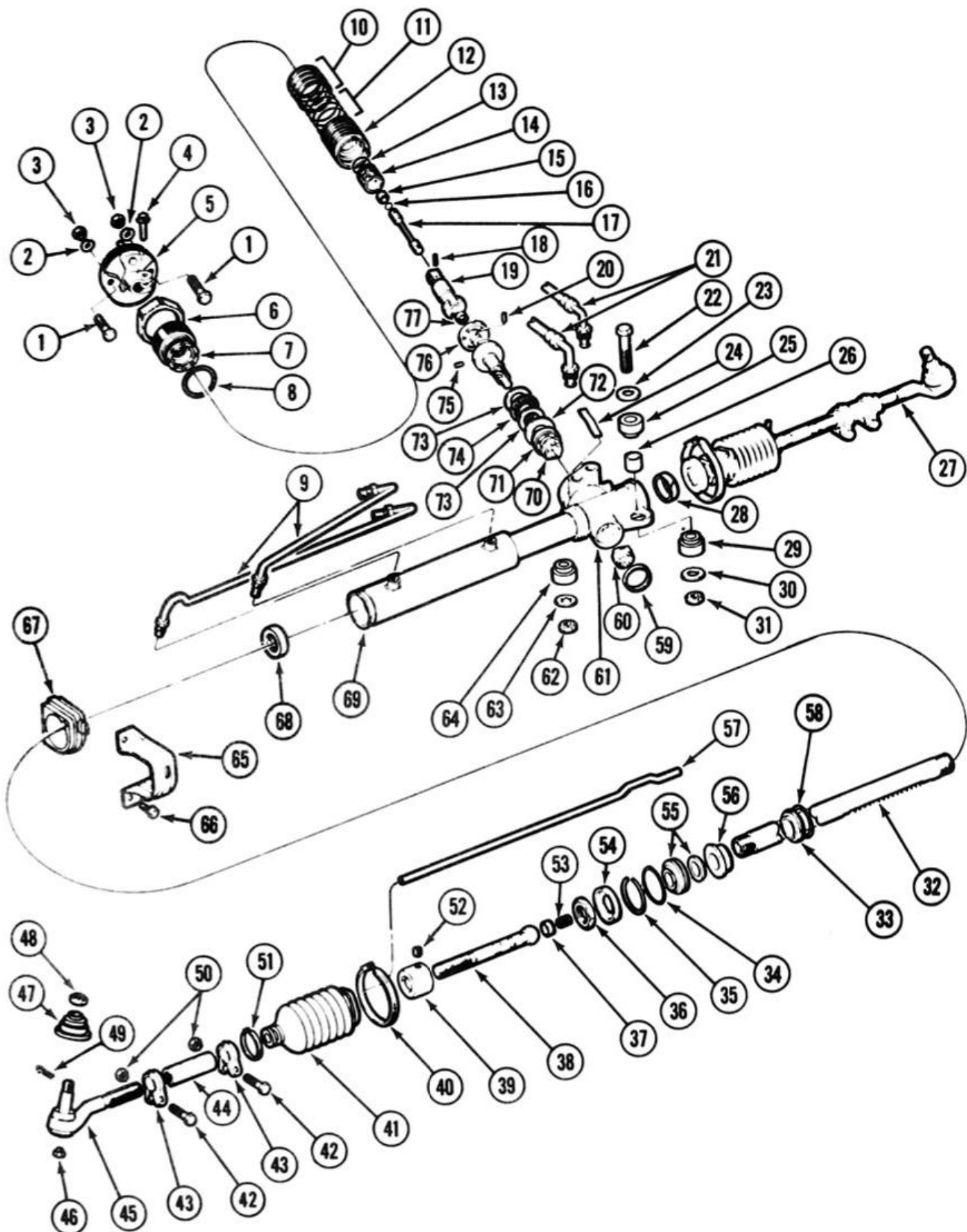
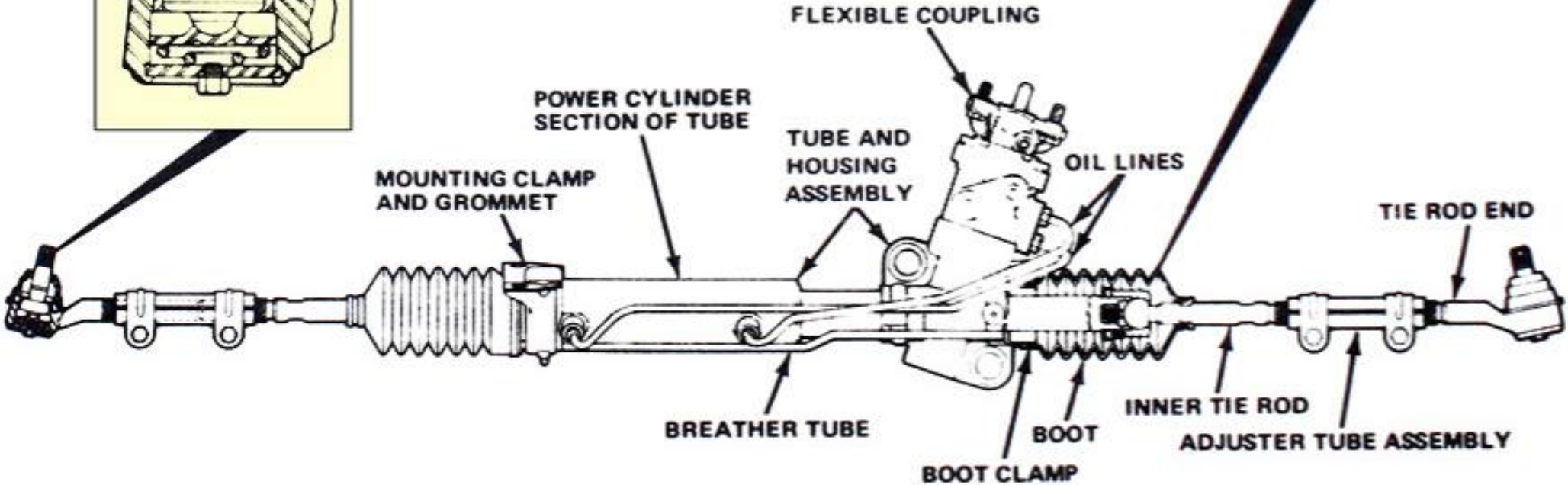
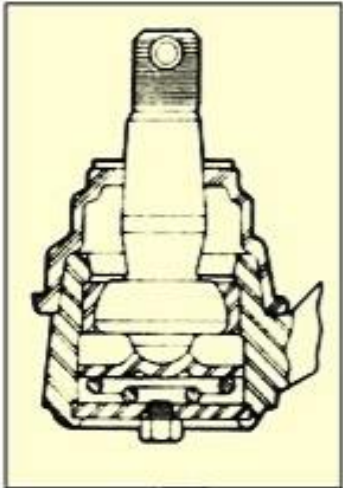
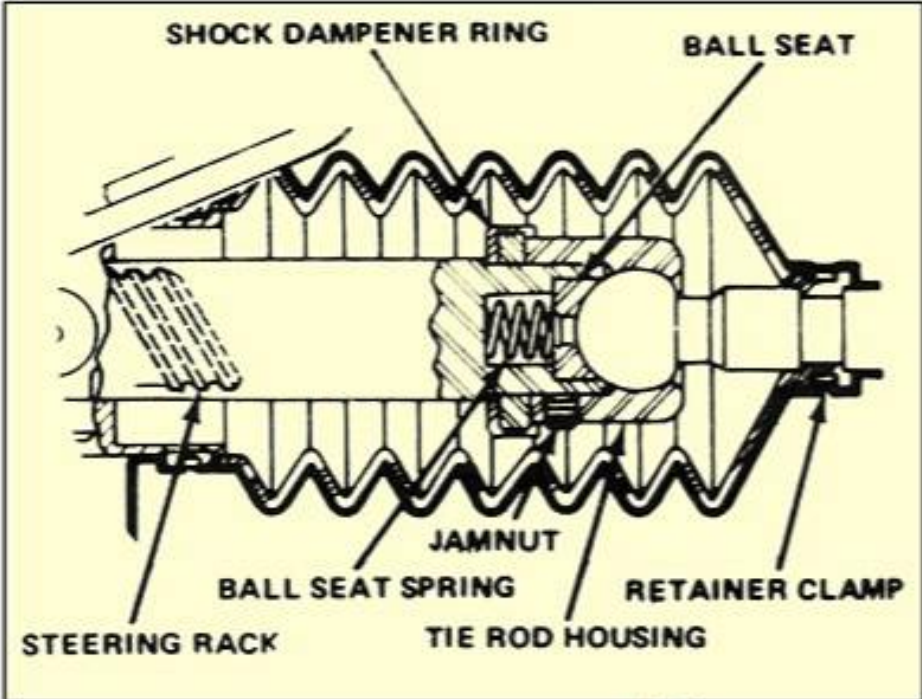


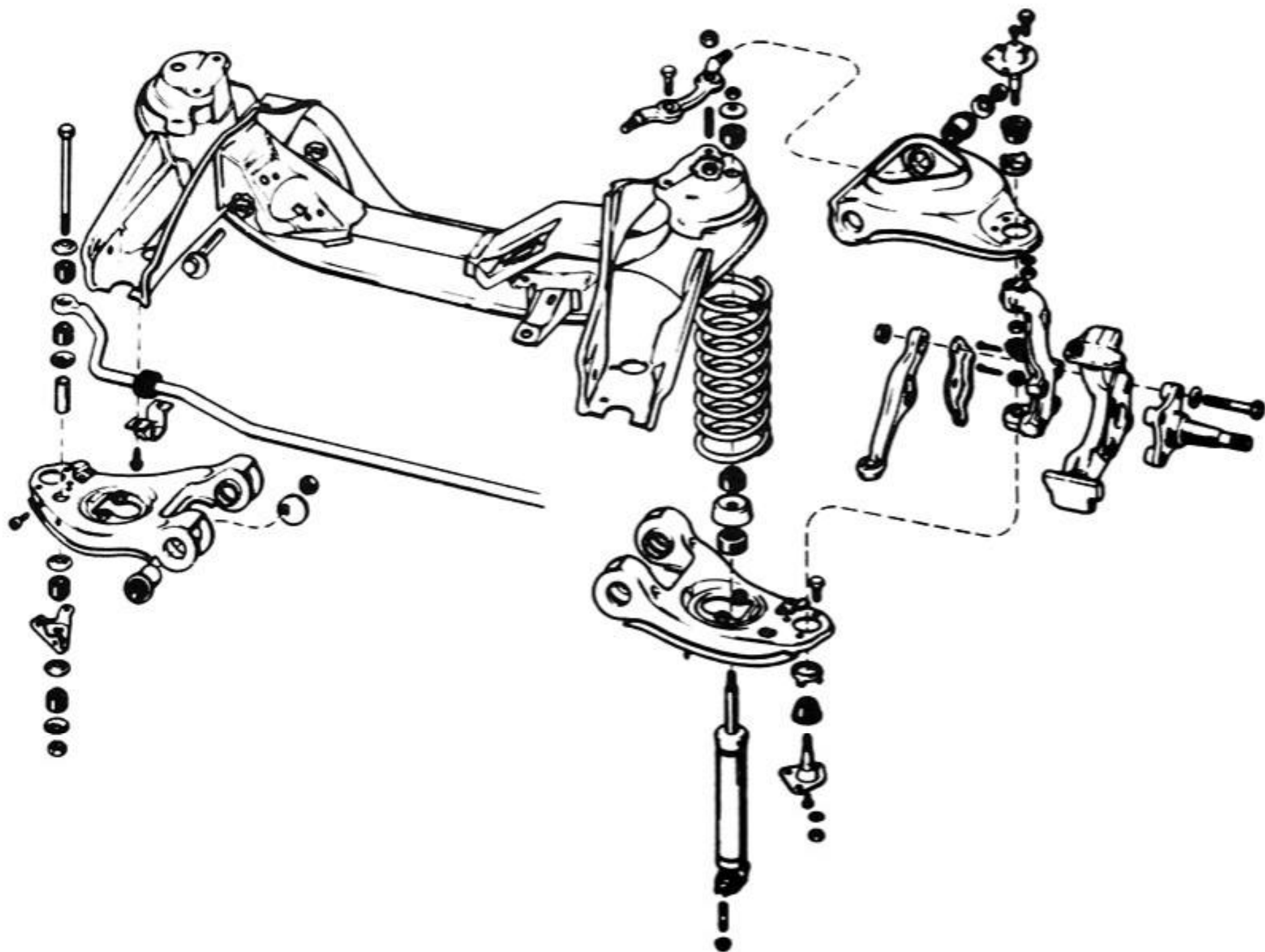
**1975-1976 Scheibenbremse Komponenten / Disc brake components**



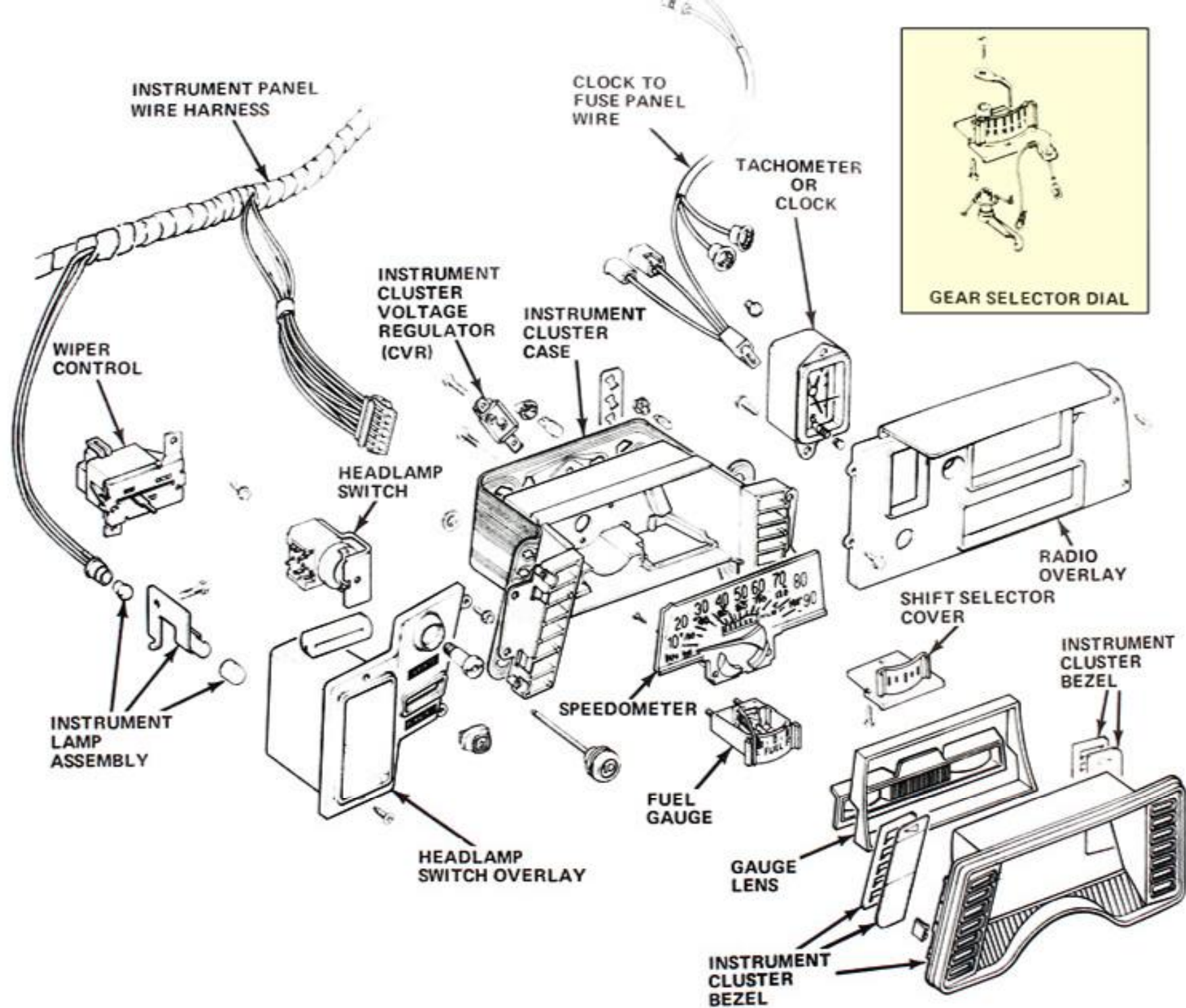
1. Flexible coupling-to-intermediate shaft attaching bolt
2. Lockwasher
3. Nut
4. Pinch bolt
5. Flexible coupling
6. Adjuster plug locknut
7. Adjuster plug assembly
8. Adjuster plug O-ring
9. Oil lines

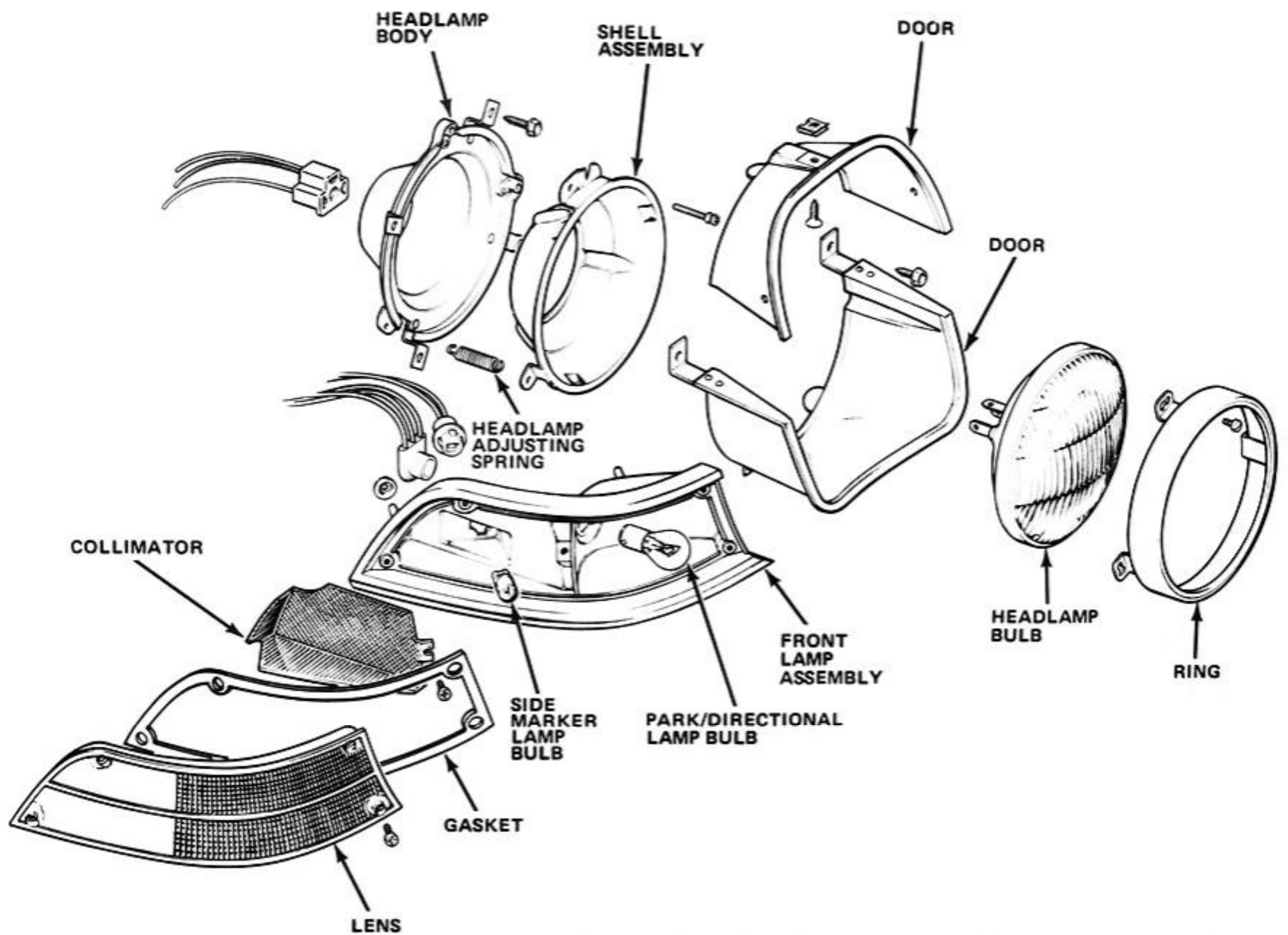
10. Valve body seal rings
11. Valve body O-rings
12. Valve body
13. Spool valve damper O-ring
14. Spool valve
15. Torsion bar bushing (included in stub shaft)
16. Torsion bar seal ring (included in stub shaft)
17. Torsion bar (included in stub shaft)
18. Drive pin (included in stub shaft)
19. Stub shaft



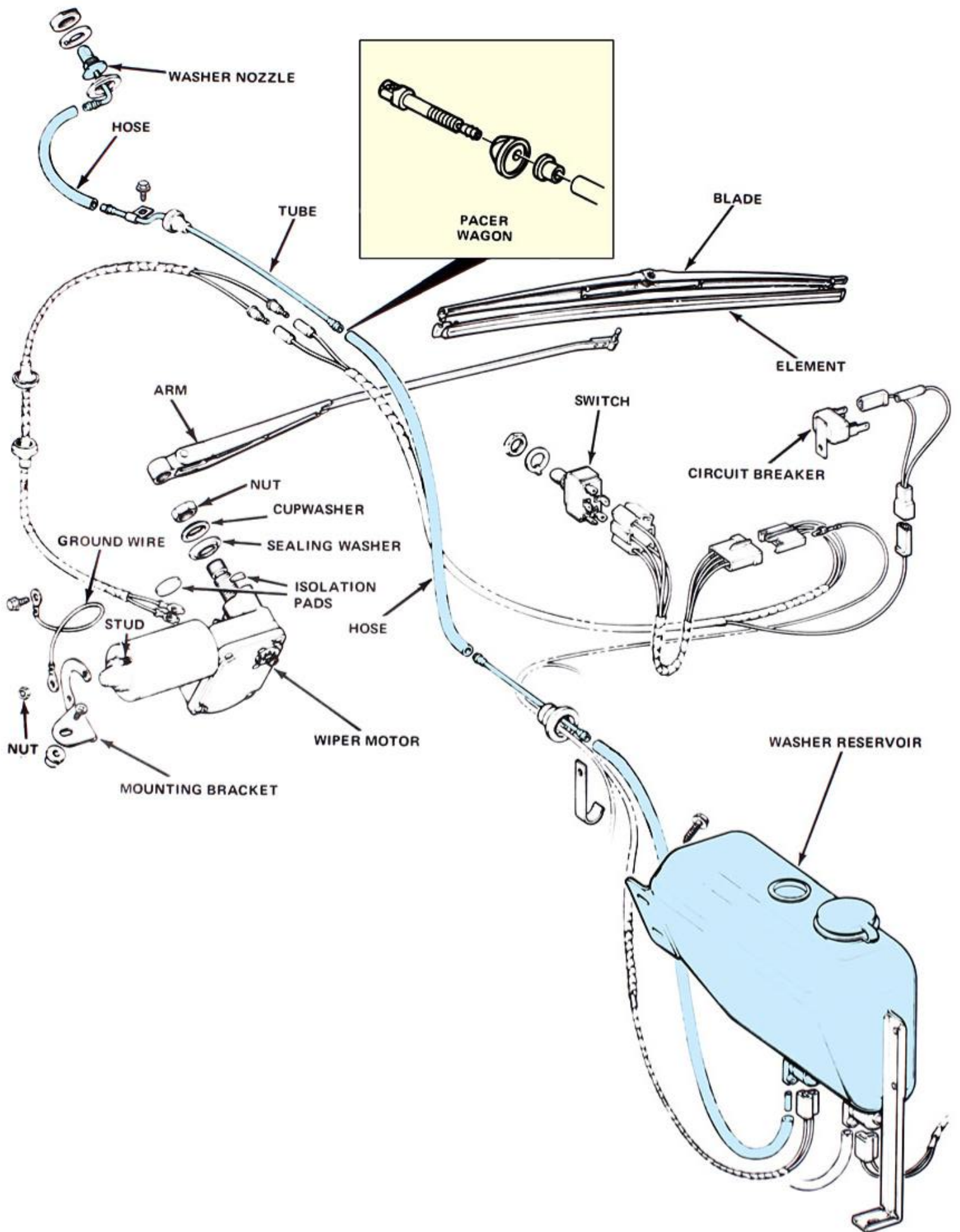


Vorderradaufhängung / Front suspension



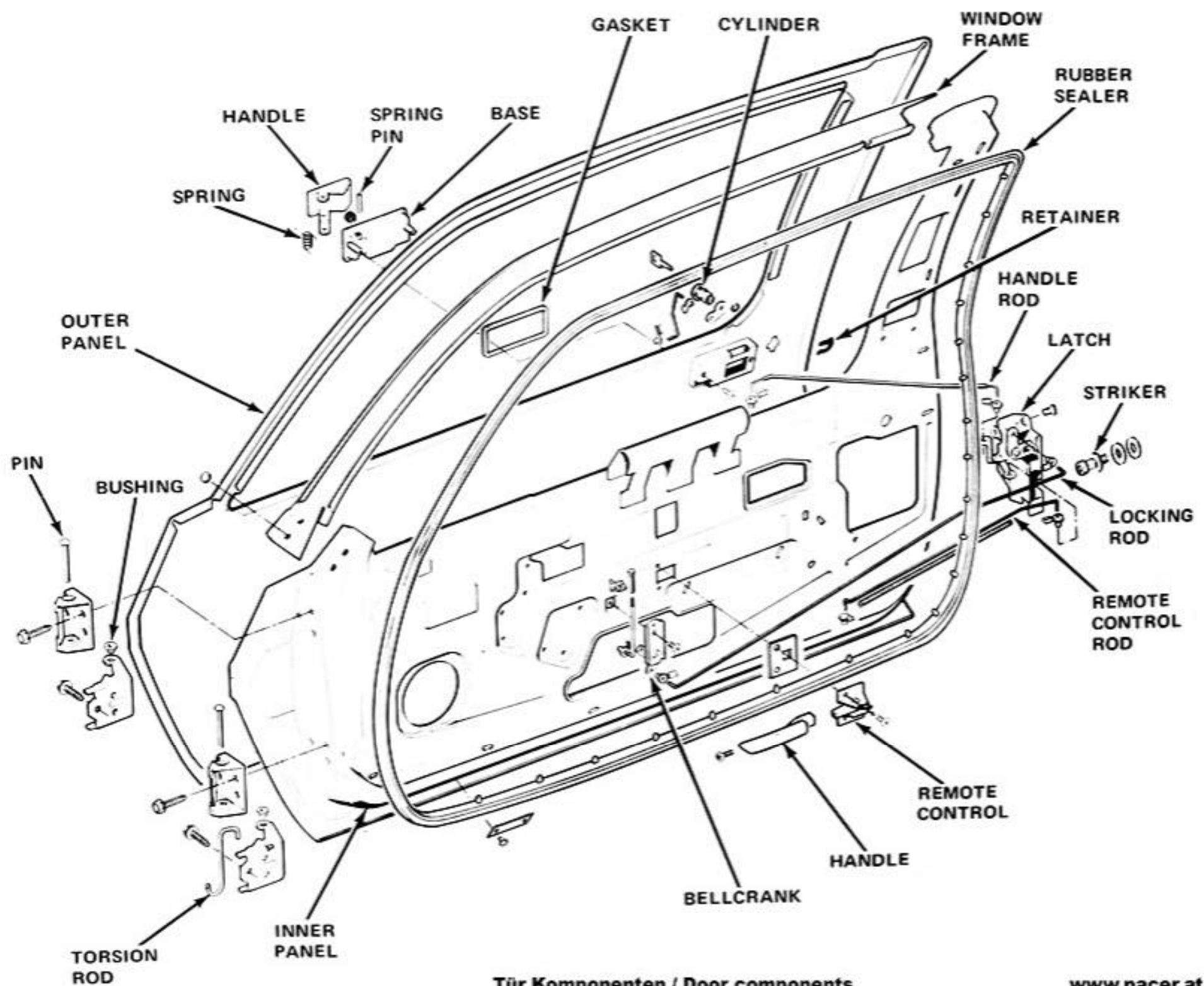


Vordere Beleuchtung / Front lamp assembly

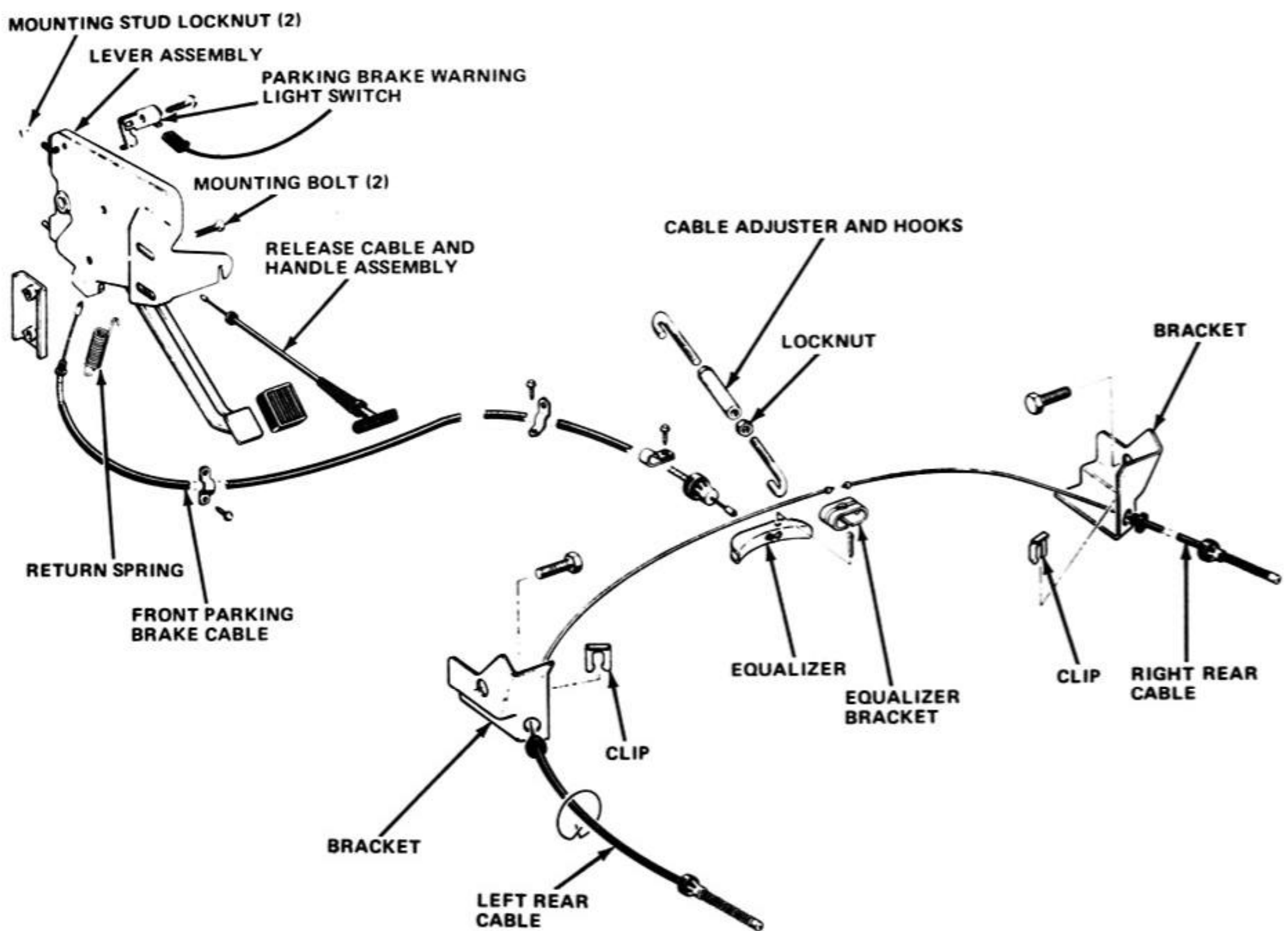


Heckscheiben Wisch- Waschanlage / Liftgate wiper and washer





Tür Komponenten / Door components



Feststellbremse / Parking brake assembly